



TYPE C350

• Clear view screen

C350 and Seaserpent Pantograph wiper fitted to USCG Lifeboat



The C350 is the latest Clear View Screen design. Switch on and you can see clearly, whatever the weather - rain, snow or ice - for perfect continuous visibility. Fully complies with ISO 3904.

HIGH RELIABILITY

- No Maintenance
- Sealed for life bearings
- Thermal overload fitted
- IP33 motor protection

PERFECT VISIBILITY

- High rotation speeds
- Powerful de-icing heater

QUIET OPERATION

- Smooth dynamically balanced induction motor
- Direct drive
- EMC silent
- High quality bearings

NO LEAKS

- High quality rotating and labyrinth seals
- Gas and leak tested

RUGGED & LONG LIFE

- Stainless steel and marine grade aluminium parts
- Toughened glass
- Unique glass decoupling to avoid glass breakages

LOW COST INSTALLATION

- ISO compliant tolerances
- Integrated controls with fusing
- Accommodates all modern glass thicknesses
- Small safe compass distance
- 1 Phase with Neutral or 2 phases from 3 phase supply



The efficient C350 is perfect for all types of commercial vessel and for specialised shore - based applications.

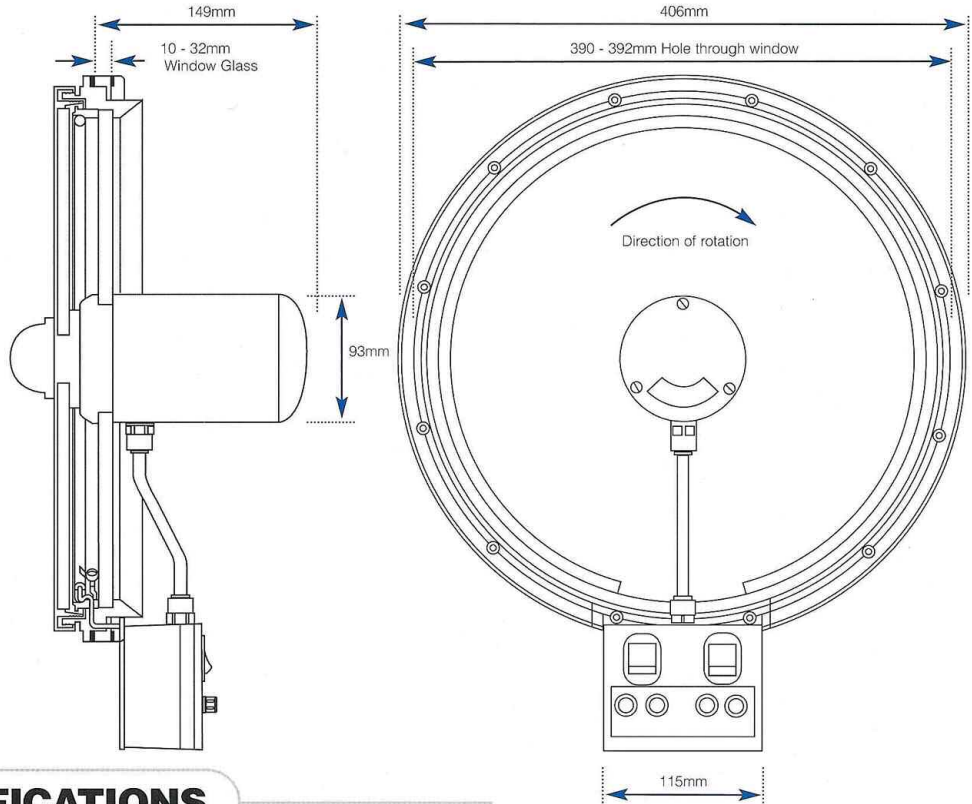


TYPE C350

Clear view screen



CLEAR VIEW



SPECIFICATIONS

ISO Specification	Fully compliant with ISO 3904-C-350-AL-vf specification
Glass disc	350mm diameter, toughened safety glass to ISO 3254 10mm thick
Main case	Marine grade aluminium alloys and stainless steel - corrosion resistant
Finish	Non reflective matt black powder coat paint
Driving motor	AC induction motors available in 100, 115, 230vAC Single phase supplies - to IP33
High spin speed	Operating speed 1600rpm - the C350 gives an unobscured vision at sea
Motor power	120 watt motor
Heater power	250 watt heater for de-icing purposes
Leak resistant	High rotating and effective labyrinth seals - ensure no internal water leakage
Compass safe distance	0.2 metres away from steering compass
Local controller	Control switching for motor and heater local to screen
Quiet operation	Direct drive means no noise from brushes, gearbox or drive belts
Mounting	In 10-32mm thick windows - to be specified at time of ordering. Cut-out hole size 390-392mm The minimum size panel into which the screen can be mounted is 510 x 550mm
Weight & Dimensions	Net: 15Kg Gross: 18Kg Dimensions: 520 x 480 x 360mm